

Lightweight, push-in fittings distinguished by high strength, toughness, resistance to abrasion and impact resistance - ideal for a wide range of applications.

All our push-in fittings made of POM have the following approvals:

drinking water DVGW, KTW, FDA and NSF.

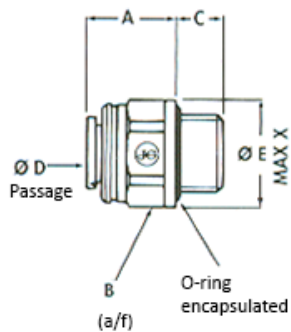
Plastic and metal tubes are connected together quickly and easily. Suitable for compressed air or liquids, with good resistance to a large number of chemicals.

Measurement: With Collet(s) in release position.

Material: acetal polymer (POM)

Sealant: NBR

Operating temperature: - 20 to 65 °C in air  
1 to 65 °C in water



65.018-6

**Male connectors (POM), parallel male thread with O-ring**

Type No.	Art. No.	For tube O.D. mm	Thread	Working pressure bar	A mm	C mm	L1 (A+C) mm	Ø D mm	Ø E mm	a/f mm
65.018-4	110259	4	G 1/8	-0.95 to 16	16.6	5.5	22.1	2.5	15.0	14
65.018-5	110260	5	G 1/8	-0.95 to 16	16.6	5.5	22.1	3.5	15.0	14
65.018-6	110261	6	G 1/8	-0.95 to 16	19.8	5.5	25.3	4.0	16.0	15
65.018-8	110262	8	G 1/8	-0.95 to 16	20.0	5.5	25.5	4.0	18.0	17
65.014-4	110263	4	G 1/4	-0.95 to 16	16.1	8.0	24.1	2.5	18.0	17
65.014-5	110264	5	G 1/4	-0.95 to 16	16.1	8.0	24.1	3.5	18.0	17
65.014-6	110265	6	G 1/4	-0.95 to 16	15.8	8.0	23.8	5.0	18.0	17
65.014-8	110266	8	G 1/4	-0.95 to 16	16.0	8.0	24.0	6.0	18.0	17
65.014-10	110267	10	G 1/4	-0.95 to 10	23.2	8.0	31.2	7.0	22.0	20
65.038-8	110268	8	G 3/8	-0.95 to 16	15.8	9.3	25.1	6.5	24.0	22
65.038-10	110269	10	G 3/8	-0.95 to 10	18.9	9.3	28.2	7.5	24.0	22
65.038-12	110270	12	G 3/8	-0.95 to 10	21.3	9.3	30.6	8.5	26.0	24
65.038-15	135950	15	G 3/8	-0.95 to 10	33,0	9.2	42.2	9.4	26.8	22
65.012-10	110271	10	G 1/2	-0.95 to 10	16.5	12.5	29.0	7.5	30.0	27
65.012-12	110272	12	G 1/2	-0.95 to 10	21.5	12.5	34.0	8.5	30.0	27
65.012-15	110273	15	G 1/2	-0.95 to 10	25.5	12.5	38.0	12.0	30.0	27
65.012-18	110274	18	G 1/2	-0.95 to 10	42.3	12.5	54.8	12.7	36.0	-
65.034-15	135951	15	G 3/4	-0.95 to 10	30,0	16.2	46.2	12.0	35.0	30
65.034-22	110275	22	G 3/4	-0.95 to 10	44.2	17.0	61.2	17.0	36.0	-
65.001-28	135952	28	G 1	-0.95 to 10	57.5	12.5	70.0	24.5	50.5	-

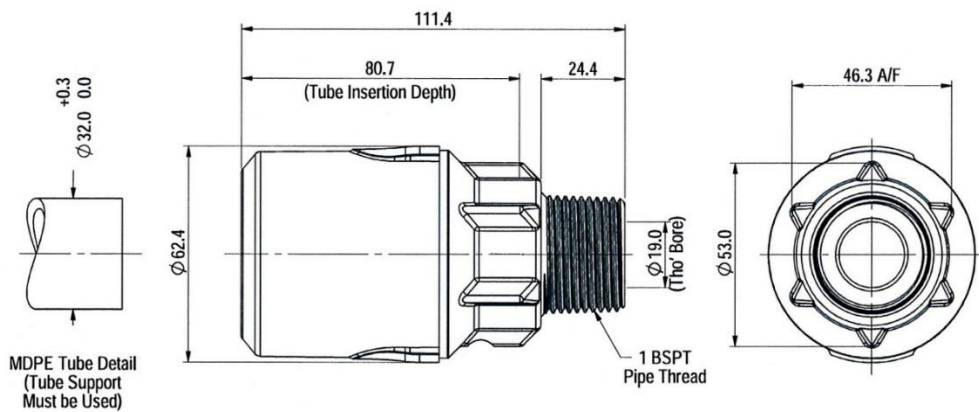
Housing: polypropylene (PP), glasfaserverstärkt, schwarz  
 Coverage chuck: acetal Co-Polymer, blue  
 Chuck: acetal Co-Polymer, blue and stainless steel  
 Washer: acetal Co-Polymer, blue  
 O-ring: ethylene-propylene (EPDM), black

**Male connectors (PP), parallel male thread with O-ring**

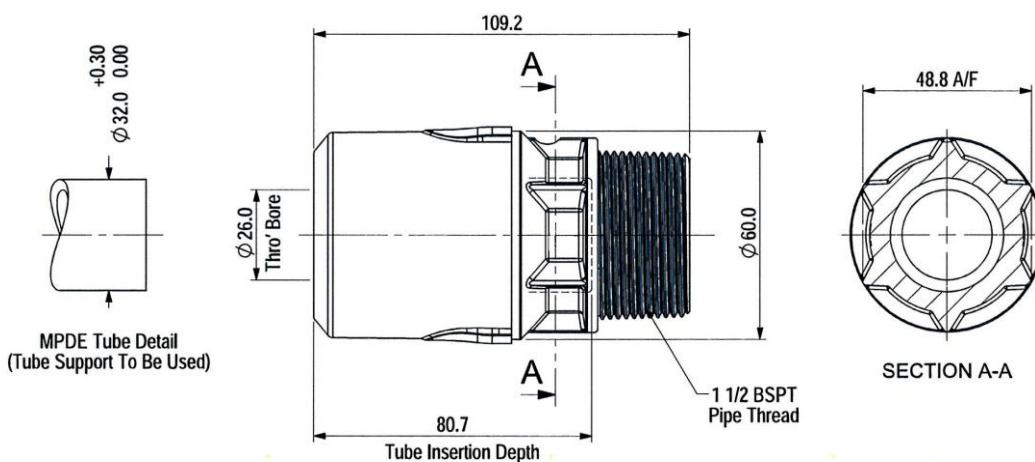
**Type No.:** 65.100-32  
**Art. No.:** 110276  
 Temperature: max. 20 °C  
 Operating pressure: max. 16 bar

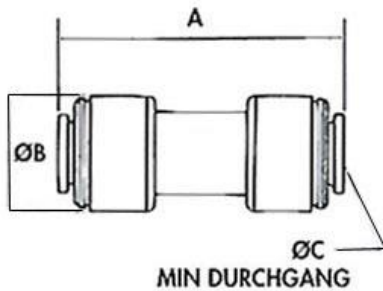


65.100-32



**Type No.:** 65.112-32  
**Art. No.:** 110277  
 Temperature: max. 20 °C  
 Operating pressure: max. 12 bar





67.006

**Unions (POM)**

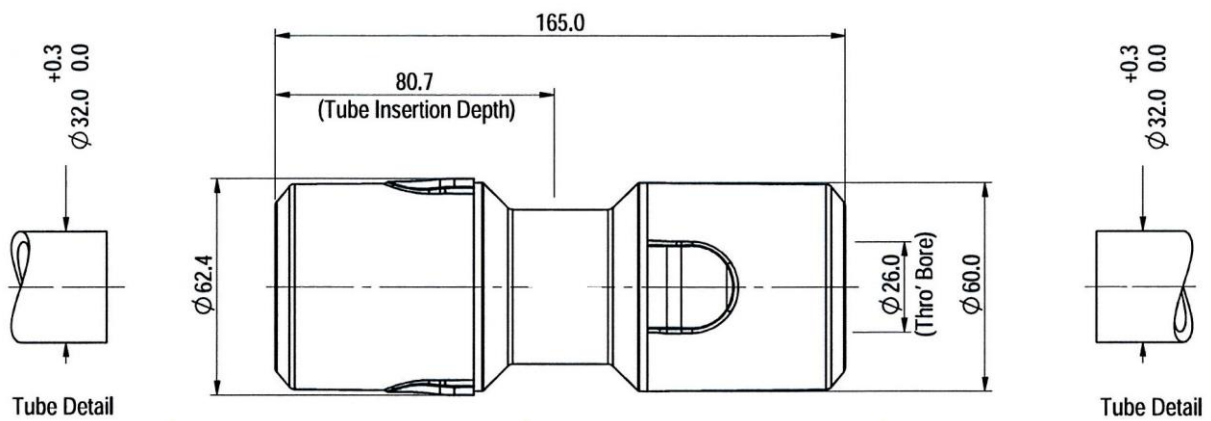
Type No.	Art. No.	For tube O.D. mm	Working pressure bar	A mm	ØB mm	ØC mm
67.004	110278	4	-0.95 to 16	32.6	14.0	2.5
67.005	110279	5	-0.95 to 16	32.6	14.0	3.5
67.006	110280	6	-0.95 to 16	35.0	15.0	5.0
67.008	110281	8	-0.95 to 16	38.0	18.0	6.5
67.010	110282	10	-0.95 to 10	41.9	20.0	7.5
67.012	110283	12	-0.95 to 10	53.8	23.0	8.5
67.015	110284	15	-0.95 to 10	58.0	28.0	12.0
67.018	110285	18	-0.95 to 10	64.1	32.0	16.0
67.022	110286	22	-0.95 to 10	70.6	36.0	19.2
67.028	110287	28	-0.95 to 10	90.8	50.0	23.0

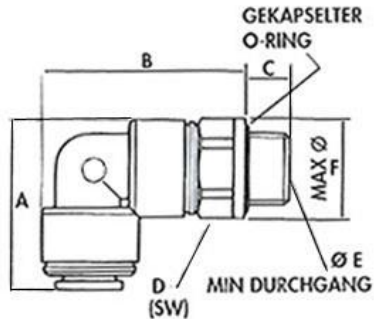
Unions (PP)

Type No.: **67.032**  
 Art. No.: **110288**  
 Temperature: max. 20 °C  
 Operating pressure: max. 16 bar



67.032

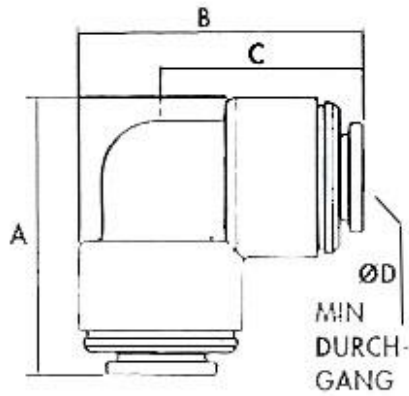




72.014-6

**Male elbows (POM), parallel male thread with O-ring**

Type No.	Art. No.	For tube O.D. mm	Thread	Working pressure bar	A mm	B mm	C mm	D mm	Ø E mm	Ø F mm
72.018-4	135956	4	1/8	-0.95 to 16	24.0	30.0	5.5	14.0	2.5	15.0
72.018-5	135957	5	1/8	-0.95 to 16	24.0	30.0	5.5	14.0	3.5	15.5
72.018-6	110289	6	1/8	-0.95 to 16	27.0	39.5	15.0	15.0	4.0	16.0
72.018-8	110290	8	1/8	-0.95 to 16	30.0	41.5	17.0	17.0	4.0	18.0
72.014-4	135958	4	1/4	-0.95 to 16	24.0	31.0	8.0	17.0	2.5	18.0
72.014-5	135959	5	1/4	-0.95 to 16	24.0	31.0	8.0	17.0	3.5	18.0
72.014-6	110291	6	1/4	-0.95 to 16	27.0	43.0	17.0	17.0	4.0	18.0
72.014-8	110292	8	1/4	-0.95 to 16	30.0	45.0	17.0	17.0	5.5	18.0
72.014-10	110293	10	1/4	-0.95 to 10	35.0	50.0	20.0	20.0	7.0	22.0
72.038-8	110294	8	3/8	-0.95 to 16	30.0	46.5	22.0	22.0	5.5	24.0
72.038-10	110295	10	3/8	-0.95 to 10	35.0	46.5	22.0	22.0	7.0	24.0
72.038-12	110296	12	3/8	-0.95 to 10	44.0	59.5	24.0	24.0	8.5	26.0
72.038-15	110297	15	3/8	-0.95 to 10	50.6	76.8	22.0	22.0	9.4	24.0
72.012-10	110298	10	1/2	-0.95 to 10	35.0	54.5	27.0	27.0	7.0	30.0
72.012-12	110299	12	1/2	-0.95 to 10	44.0	62.5	27.0	27.0	8.5	30.0
72.012-15	110300	15	1/2	-0.95 to 10	50.6	65.8	14.0	27.0	10.0	29.8
72.012-18	110301	18	1/2	-0.95 to 10	59.7	78.2	14.0	27.0	11.7	29.8
72.012-22	135960	22	1/2	-0.95 to 10	66.0	80.5	14.0	27.0	11.4	29.5
72.034-22	135961	22	3/4	-0.95 to 10	66.0	84.0	16.8	37.0	15.3	39.5



68.006

Union elbows (POM)

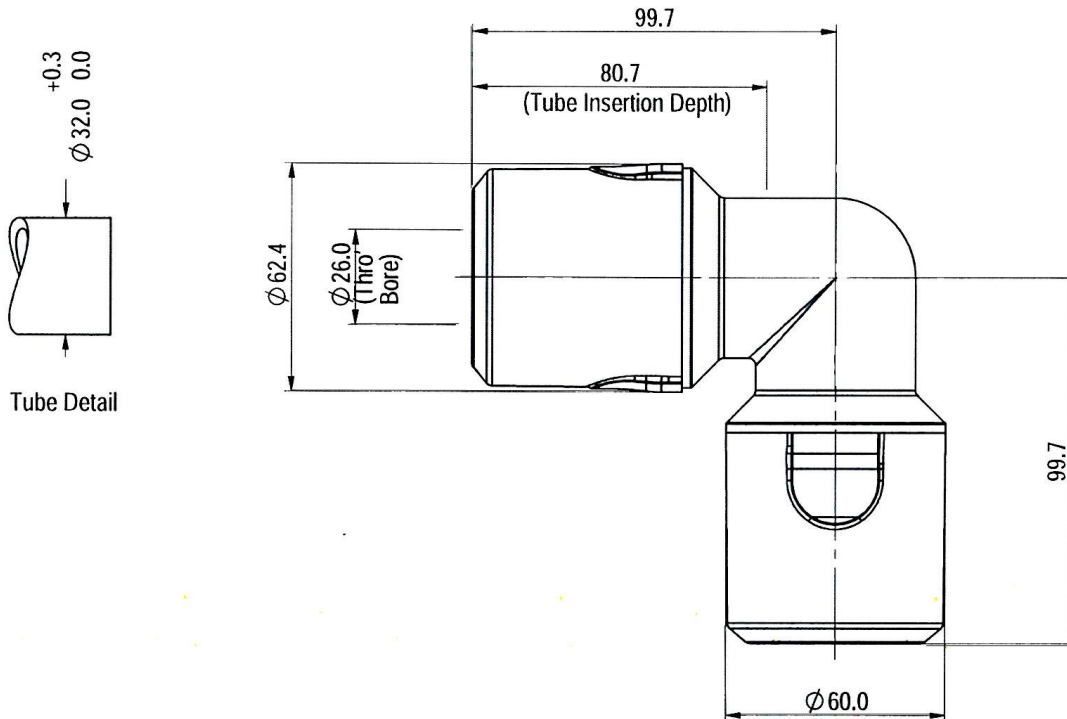
Type No.	Art. No.	For tube O.D. mm	Working pressure bar	A mm	B mm	C mm	Ø D mm
68.004	110302	4	-0.95 to 16	24.1	24.1	18.0	2.5
68.005	110303	5	-0.95 to 16	24.1	24.1	18.0	3.5
68.006	110304	6	-0.95 to 16	27.1	27.1	20.0	5.0
68.008	110305	8	-0.95 to 16	29.9	29.9	21.0	7.5
68.010	110306	10	-0.95 to 10	35.3	35.3	25.0	8.5
68.012	110307	12	-0.95 to 10	44.0	44.0	32.0	8.5
68.015	110308	15	-0.95 to 10	50.3	50.3	37.0	12.0
68.018	110309	18	-0.95 to 10	59.7	59.7	44.0	16.0
68.022	110310	22	-0.95 to 10	66.6	66.6	49.0	19.2
68.028	110311	28	-0.95 to 10	87.7	87.7	60.0	24.9

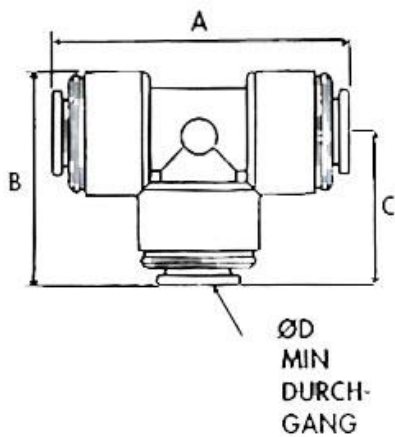
**Union elbows (PP)**

**Type No.:** 68.032  
**Art. No.:** 110312  
 Temperature: max. 20 °C  
 Operating pressure: max. 16 bar



68.032





69.006

Type No.	Art. No.	For tube O.D. mm	Working pressure bar	A mm	B mm	C mm	Ø D mm
69.004	110313	4	-0.95 to 16	35.2	17.6	18.5	2.5
69.005	110314	5	-0.95 to 16	35.2	17.6	18.4	3.5
69.006	110315	6	-0.95 to 16	39.3	19.6	20.5	5.0
69.008	110316	8	-0.95 to 16	42.0	21.0	22.0	6.5
69.010	110317	10	-0.95 to 10	50.7	25.4	26.3	7.5
69.012	110318	12	-0.95 to 10	65.0	32.5	33.2	8.5
69.015	110319	15	-0.95 to 10	74.6	37.3	38.4	12.0
69.018	110320	18	-0.95 to 10	88.3	44.2	45.3	16.0
69.022	110321	22	-0.95 to 10	97.7	48.9	49.6	19.2
69.028	110322	28	-0.95 to 10	121.4	60.7	63.1	23.0

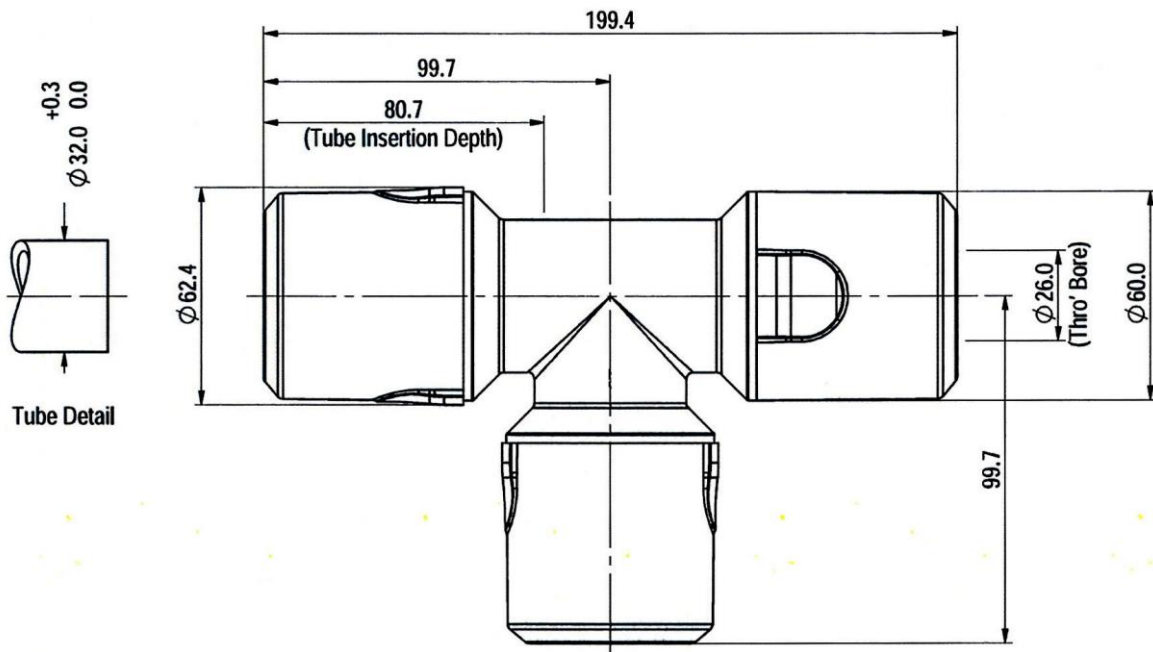


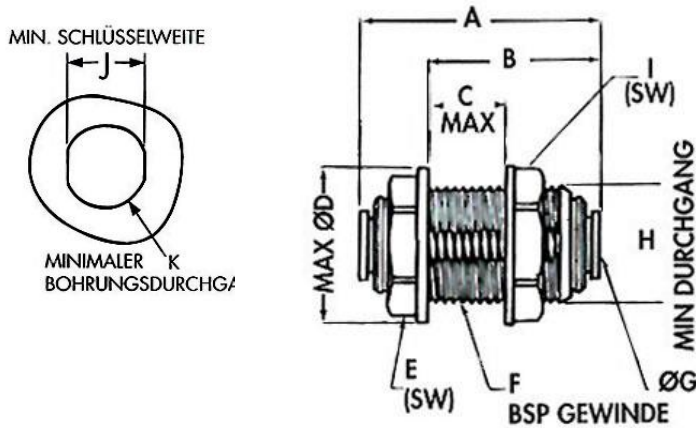
**Union tees (PP)**

**Type No.:** 69.032  
**Art. No.:** 110323  
 Temperature: max. 20 °C  
 Operating pressure: max. 16 bar



69.032

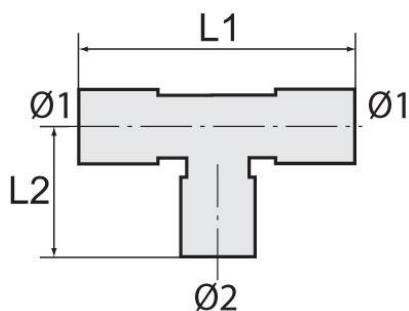




71.038-6 1

**Bulkhead connectors (POM)**

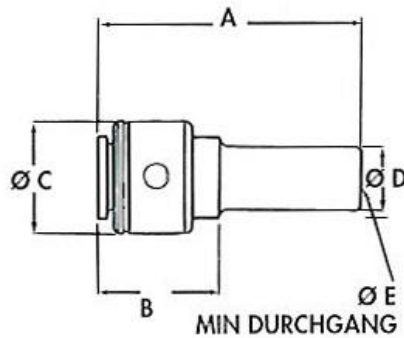
Type No.	Art. No.	For tube O.D. mm	Working pressure bar	A mm	B mm	C mm	Ø D mm	E mm	F BSP	Ø G mm	Ø H mm	I mm	J mm	Ø K mm
71.038-4	135972	4	-0.95 to 16	35.0	25.0	13.5	22.9	19.0	3/8	2.5	16.5	20.0	14.8	17.0
71.038-5	135973	5	-0.95 to 16	35.0	25.0	13.5	22.9	19.0	3/8	3.0	16.5	20.0	14.8	17.0
71.038-6	110324	6	-0.95 to 16	34.5	25.0	13.5	22.9	19.0	3/8	5.0	16.5	20.0	15.0	17.0
71.012-8	110325	8	-0.95 to 16	40.0	29.0	16.0	27.4	22.0	1/2	6.0	21.0	25.0	20.0	21.5
71.012-10	135974	10	-0.95 to 10	41.0	29.0	16.0	27.4	22.0	1/2	7.5	21.0	25.0	19.5	21.5
71.034-12	135975	12	-0.95 to 10	52.0	38.0	22.5	38.1	28.0	3/4	8.5	26.5	32.0	24.2	27.0



70.018-15

**Union tees (POM), unequal**

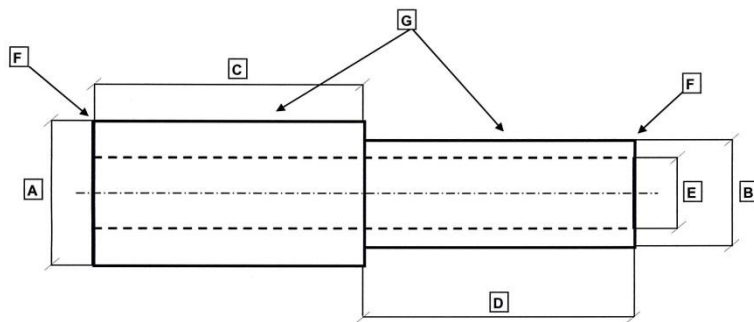
Type No.	Art. No.	For tube O.D. 1 mm	For tube O.D. 2 mm	Working pressure bar	L1 mm	L2 mm
70.018-15	110326	18	15	-0.95 to 10	84.5	37.9
70.022-15	110327	22	15	-0.95 to 10	90.6	41.6



77.1210

**Reducers (POM)**

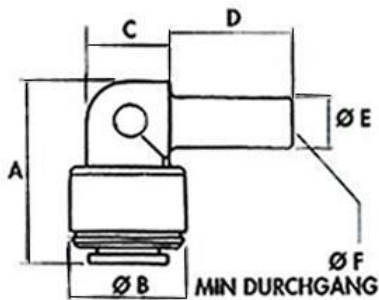
Type No.	Art. No.	Nozzle mm	For tube O.D. mm	Working pressure bar	A mm	B mm	Ø C mm	Ø D mm	Ø E mm
77.0504	136480	5.0	4	-0.95 to 16	34.6	18.1	13.0	5.0	2.5
77.0604	136481	6.0	4	-0.95 to 16	36.4	18.1	13.0	5.0	2.5
77.0605	136482	6.0	5	-0.95 to 16	36.1	18.1	13.0	6.0	3.4
77.0804	136483	8.0	4	-0.95 to 16	37.2	18.1	13.0	8.0	3.5
77.0805	136484	8.0	5	-0.95 to 16	37.2	18.1	13.0	8.0	3.4
77.0806	136485	8.0	6	-0.95 to 16	37.4	18.3	15.0	8.0	4.8
77.1006	136486	10.0	6	-0.95 to 16	40.5	18.3	15.0	10.0	4.8
77.1008	135487	10.0	8	-0.95 to 16	40.4	18.2	17.8	10.0	6.3
77.1208	110328	12.0	8	-0.95 to 16	40.5	18.2	17.8	12.0	6.3
77.1210	110329	12.0	10	-0.95 to 10	50.0	22.5	19.8	12.0	7.6
77.1510	110330	15.0	10	-0.95 to 10	55.3	22.6	19.8	15.0	7.6
77.1512	110331	15.0	12	-0.95 to 10	60.2	27.7	23.0	15.0	9.1
77.1815	110332	18.0	15	-0.95 to 10	70.5	34.4	26.7	18.0	12.1
77.2215	110333	22.0	15	-0.95 to 10	69.6	33.5	27.0	22.0	12.1
77.2218	110334	22.0	18	-0.95 to 10	71.6	35.5	31.1	22.0	16.0
77.2815	110335	28.0	15	-0.95 to 10	80.2	-	-	-	-
77.2822	110336	28.0	22	-0.95 to 10	81.8	-	-	-	-



77.3222

Reducers (PP)

Type No.	Art. No.	Working pressure bar	Ø A mm	Ø B mm	C mm	D mm	Ø E mm	F mm	G mm
77.3228	110337	0 - 12	32	28	83.5	49.7	22	R 0.75	Ra=0.8
77.3222	110338	0 - 12	32	22	85.0	42.0	17	R 0.75	Ra=0.8



78.0606

Union elbows (POM)

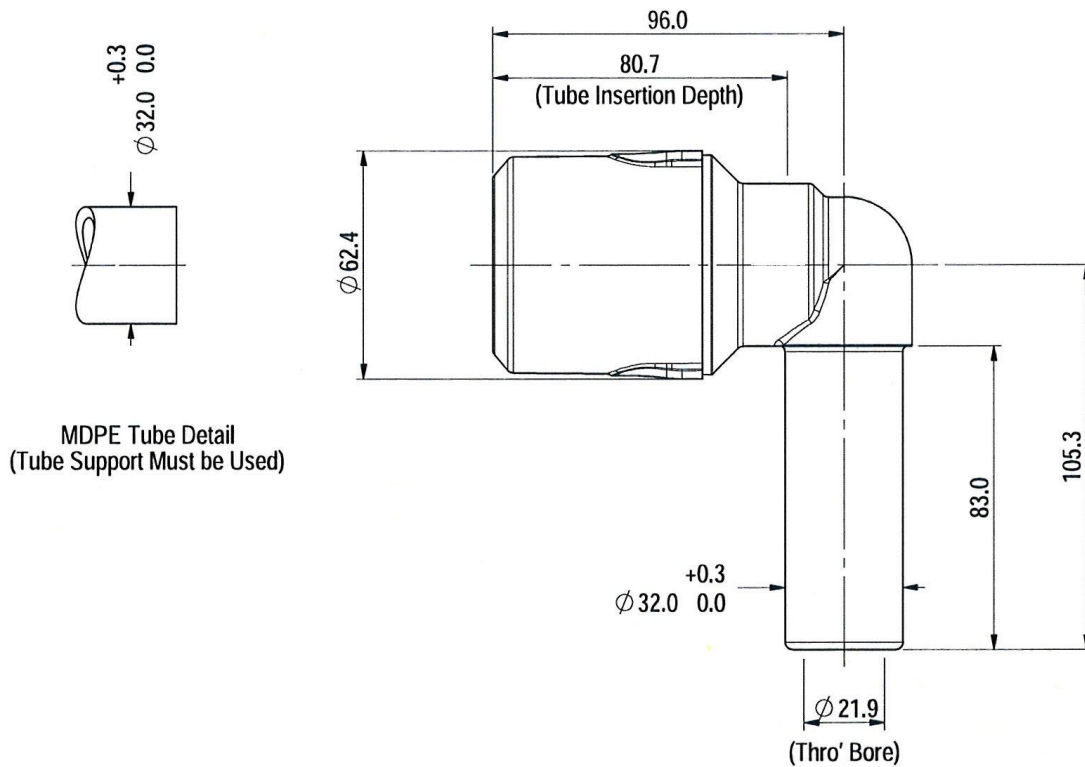
Type No.	Art. No.	Nozzle mm	For tube O.D. mm	Working pressure bar	A mm	Ø B mm	C mm	D mm	L1 (C+D) Mm	Ø E mm	Ø F mm
78.0404	110339	4	4	-0.95 to 16	22.0	13.0	9.0	17.0	26.0	4.0	2.5
78.0505	110340	5	5	-0.95 to 16	22.0	13.0	9.0	17.0	26.0	5.0	3.5
78.0606	110341	6	6	-0.95 to 16	25.0	15.0	11.0	18.0	29.0	6.0	4.0
78.0808	110342	8	8	-0.95 to 16	27.0	18.0	13.0	19.0	32.0	8.0	5.5
78.1010	110343	10	10	-0.95 to 10	32.0	20.0	13.5	22.0	35.5	10.0	7.0
78.1212	110344	12	12	-0.95 to 10	39.0	23.0	18.0	28.0	46.0	12.0	8.5
78.1515	110345	15	15	-0.95 to 10	42.2	27.0	18.8	33.5	52.1	15.0	10.5
78.1818	110346	18	18	-0.95 to 10	41.0	31.0	21.5	35.0	56.5	18.0	16.0
78.2222	136479	22	22	-0.95 to 10	67.0	35.5	-	-	58.7	-	-

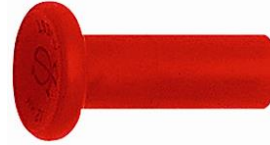
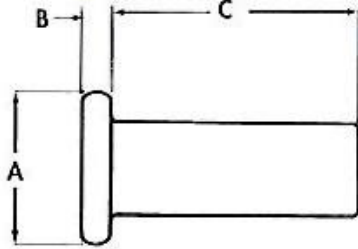
Union elbows (PP)

Type No.: 78.3232  
 Art. No.: 110347  
 Temperature: max. 20 °C  
 Operating pressure: max. 12 bar



78.3232





79.006

**Plugs (POM)**

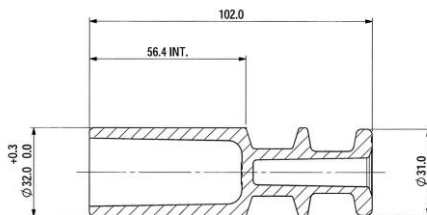
Type No.	Art. No.	Nozzle mm	Working pressure bar	Ø A mm	B mm	C mm
79.004	110348	4	-0.95 to 16	12.5	3.3	25.4
79.005	110349	5	-0.95 to 16	12.5	3.3	25.9
79.006	110350	6	-0.95 to 16	15.0	3.8	26.2
79.008	110351	8	-0.95 to 16	17.5	4.1	26.9
79.010	110352	10	-0.95 to 10	19.5	4.6	31.2
79.012	110353	12	-0.95 to 10	21.5	4.7	33.9
79.015	110354	15	-0.95 to 10	24.9	5.0	40.0
79.018	110355	18	-0.95 to 10	29.8	4.0	37.5
79.022	110356	22	-0.95 to 10	31.5	4.7	40.3
79.028	110357	28	-0.95 to 10	40.0	4.1	51.4

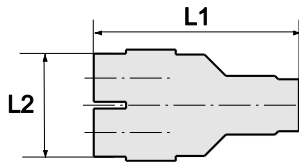
**Plugs (PP)**

**Type No.:** 79.032  
**Art. No.:** 110358  
 Temperature: max. 20 °C  
 Operating pressure: max. 16 bar  
 Housing: polypropylene, black



79.032

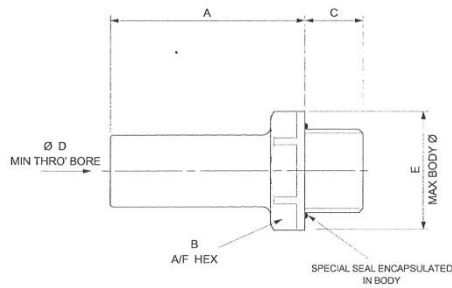




89.012

**Y-connections (POM)**

Type No.	Art. No.	For tube O.D. mm	Working pressure bar	L1 mm	L2 mm
89.004	136488	4	-0.95 to 16	37.0	28.5
89.006	136489	6	-0.95 to 16	35.5	26.8
89.008	136490	8	-0.95 to 16	50.0	41.0
89.010	136491	10	-0.95 to 10	46.0	39.5
89.012	136492	12	-0.95 to 10	55.5	44.2
89.015	136493	15	-0.95 to 10	70.3	54.8

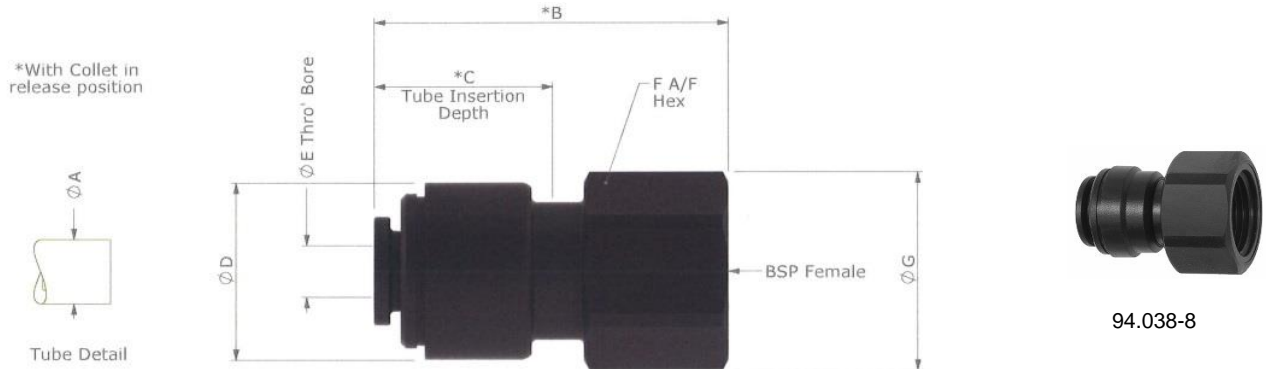


75.012-10

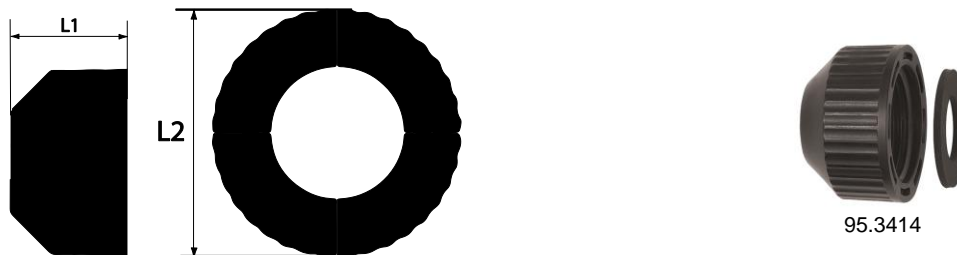
**Screw-in supports (POM)**

Type No.	Art. No.	For tube O.D. mm	Thread	Working pressure bar	A mm	B mm	C mm	ØD mm	ØE mm
75.018-4	136494	4	G 1/8	-0.95 to 16	20.0	14.0	5.5	2.5	15.0
75.018-5	136495	5	G 1/8	-0.95 to 16	20.0	14.0	5.5	3.5	15.0
75.018-6	136496	6	G 1/8	-0.95 to 16	22.0	15.0	5.5	4.0	16.0
75.018-8	136497	8	G 1/8	-0.95 to 16	23.0	17.0	5.5	4.0	18.0
75.014-4	136498	4	G 1/4	-0.95 to 16	21.0	17.0	8.0	2.5	18.0
75.014-5	136499	5	G 1/4	-0.95 to 16	21.0	17.0	8.0	3.5	18.0
75.014-6	136500	6	G 1/4	-0.95 to 16	22.0	17.0	8.0	4.0	18.0
75.014-8	136501	8	G 1/4	-0.95 to 16	23.0	17.0	8.0	5.5	18.0
75.014-10	136502	10	G 1/4	-0.95 to 10	26.0	20.0	8.0	7.0	22.0
75.038-8	136503	8	G 3/8	-0.95 to 16	23.0	22.0	9.5	5.5	24.0
75.038-10	136504	10	G 3/8	-0.95 to 10	26.0	22.0	9.5	7.0	24.0
75.038-12	136505	12	G 3/8	-0.95 to 10	31.0	24.0	9.5	8.5	26.0
75.038-15	136506	15	G 3/8	-0.95 to 10	35.0	22.0	11.3	-	24.1
75.012-10	136507	10	G 1/2	-0.95 to 10	26.0	27.0	12.5	7.0	30.0
75.012-12	136508	12	G 1/2	-0.95 to 10	31.0	27.0	12.5	8.5	30.0
75.012-15	136509	15	G 1/2	-0.95 to 10	35.0	27.0	14.5	-	29.8
75.012-18	136510	18	G 1/2	-0.95 to 10	49.0	27.0	14.5	12.7	30.0
75.012-22	136511	22	G 1/2	-0.95 to 10	50.5	27.0	14.5	12.1	30.0
75.034-22	136512	22	G 3/4	-0.95 to 10	52.0	37.0	17.0	17.0	40.0




**Screw-on connections (POM)**

Type No.	Art. No.	For tube O.D. mm	Thread	Working pressure bar	B mm	C mm	D mm	E mm	F mm	G mm	Thread Seal Type
94.018-4	136513	4	G 1/8	-0.95 to 16	27.8	14.3	13.0	2.5	14.0	15.4	O'Ring
94.018-6	136514	6	G 1/8	-0.95 to 16	31.3	15.7	15.0	4.0	15.0	-	None
94.014-6	136515	6	G 1/4	-0.95 to 16	32.2	15.7	16.6	4.8	17.0	18.6	O'Ring
94.014-8	136516	8	G 1/4	-0.95 to 16	32.4	16.7	16.6	6.3	17.0	18.6	O'Ring
94.038-8	136517	8	G 3/8	-0.95 to 16	30.8	16.8	17.8	6.3	22.0	24.0	Washer
94.034-8	136518	8	G 3/4	-0.95 to 16	36.0	-	-	-	-	-	-


**Thread-reducers (POM)**

Type No.	Art. No.	Thread 1	Thread 2	Working pressure bar	L1 mm	L2 mm
95.3414	136519	G 3/4	G 1/4	-0.95 to 16	21.0	35.0

#### Assembling instructions for push-in fittings

- Cut the hose ends plain. To ensure an ideal sealing effect and secure stop of the fitting make sure the hose end is not oval.
- Clean the hose ends and make sure that it is free of burrs.
- Push the hose ends into the fitting till it stops.
- Test stability by pulling the hose shortly.
- Push the release ring to release the hose.
- Pull out the hose with slight rotation.
- For a new assembling cut the hose plain again. Then pushing and releasing the tube should not be affected adversely.